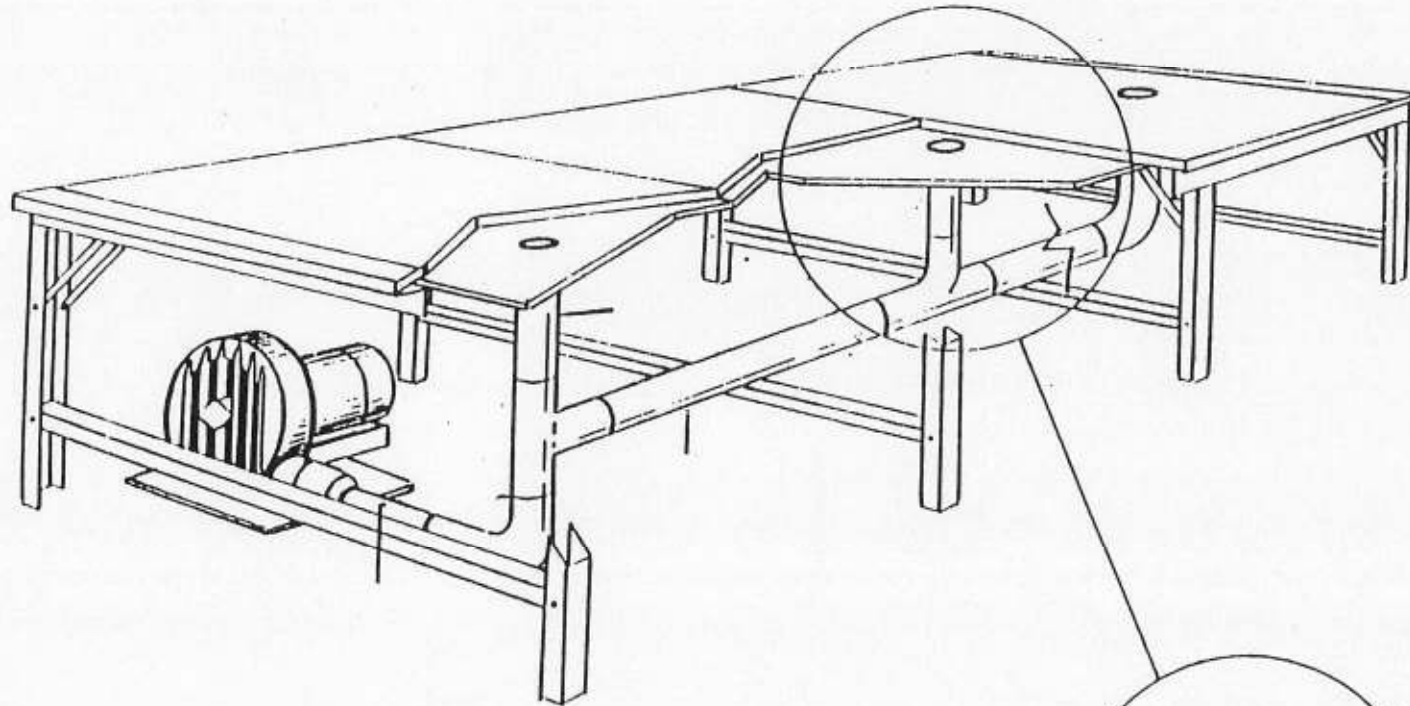


UNICRAFT

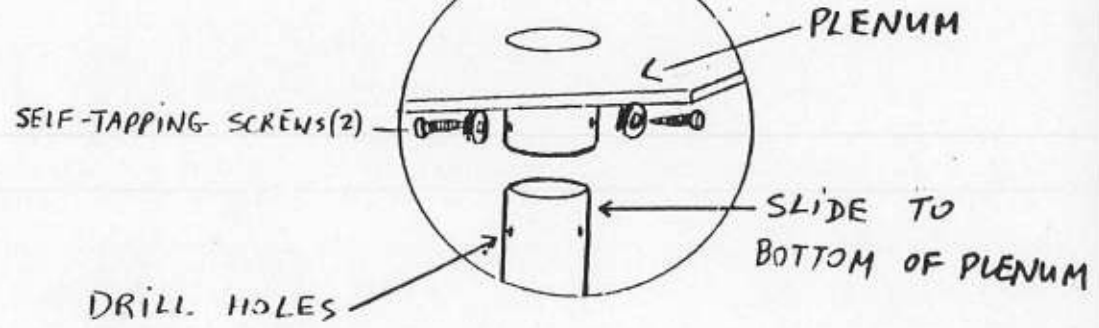
Date: _____

Customer: _____

Table size: _____



FITTINGS			PIPINGS		
#	DESCRIPTION	QTY	#	DESCRIPTION	QTY
1	2" TEE JOINT	9	(A)	2"X 40" PVC PIPE SCH-40	1
2	2" BALL VALVE	1	(B)	2"X44" PVC PIPE SCH-40	8
3	2" GALVANIZE NIPPLE 2" X 12"	2	C	2"x20" PVC PIPE SCH-40	2
4	2" SXF FEMALE ADAPTER	6	(D)	2"x15" PVC PIPE SCH-40	2
5	2" ELBOW	4	(E)	2"x12" PVC PIPE SCH-40	9
6	2" COUPLINGS	9	(F)	2"x11" PVC PIPE SCH-40	2
7	2" MIP ADATER FOR HOSE	4	(G)	2"x3" PVC PIPE SCH-40	12
8	2" FLEX HOSE 20"	2			
9	2" STEEL CLAMPS	4			
10	2" SXM MALE ADAPTER	2			



FINAL STEP: CALK PIPE AT JOINT WITH PLENUM